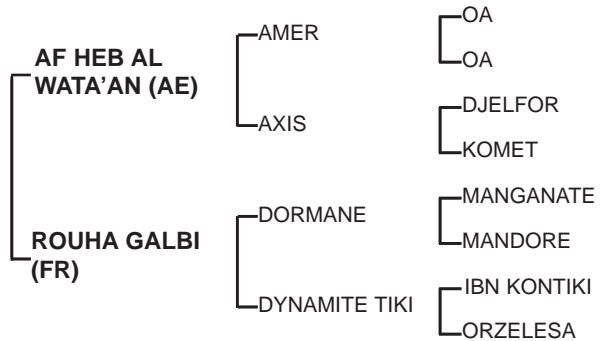


LAA TJADLNI (AE)

Grey, Mare

21/03/2016



IN FOAL by RB BURN

(Majd Al Arab X Burniee Gee by BURNING SAND)

Due to FOAL on APRIL 2023.

Sire: AF HEB AL WATA'AN (c, by Amer) Unplaced from 1 start. His sire **AMER** (c, by Wafi), **5 wins** from 7 starts in UK. Outstanding sire of **winning race horses Sire of 107 winners** of 432 races including **49 Group 1** races around the world. **AL ANOOD -18 wins** (incl: **6 Gr.1** races), **MUTABAHI - 11 wins** (incl: **4 Gr.1**), **DAHESSE - 27 wins** (incl: **13 Gr.1** races), **NIZAM - 15 wins** (incl: **4 Gr.1** races), **AL DAHMA - 22 wins** (incl: **15 Gr.1** races), **MUGADIR - 17 wins**, **MAJD AL ARAB - 10 wins** (incl: **5 Gr.1** races), **MUNEEF - 6 wins** (incl: **1 Gr.1** races), **GENERAL - 5 wins** (incl: **1 Gr.1** races), **AL ANQA - 3 wins**, **DAMIS - 2 wins**, **MURHIB - 10 wins** incl: **Gr.2 & Gr.3 winners**, **MALEEHAH - 16 wins** including French **1Gr. win**.

1st Dam: **ROUHA GALBI** (f, by **DORMANE** (c. by Manganate) **win 6** races and placed once from 8 starts incl, Dubai stakes, coupe du cheval arabe, prix Ourour & riterium des 3 ans, sire of **winners** incl, **DARIKE** and **PASSEM LOTOIS**, both winners of French Derby, **CHAIKHMAN**, **CHNDAKA DES FABRIES**, **DORWAN DU CAYROU**, **FALINA DES FABRIES**, **FAROUK EL MELS**, **ISKA ALMELS**, **NOREEN**, **MEDJERDA DE PIBOUL**, **OURAGAN DU CAYROU**, **ROGHEDA**, **SEIGNEUR AL MAURY** among others)

2nd Dam: **DYNAMITE TIKI** - (c, by **IBN Kontiki**), **7 wins**, placed 8 times and 388 167 FRS Municipality Races, 2nd **MAKTOUM** challenge Round. Dam of:
LAMEAA (f, by Djel Bon) **3 wins & 13 places**.

3rd Dam: **ORZELESA** (f, by Brusally Orzelost) 3 places from 4 starts Dam of:
HIGH BORN TIKI (c, by Ibn Kontiki) **8 win** (incl: **2 Gr. win**), 5 time 2nd, 3rd (twice) & 8 places (Incl: **4 Gr. Place**)
WINNING WAYS (f, by Ibn Kontiki) **1 win**, 2nd once & 5 places
OH SO FINE (f, by Ibn Kontiki) **1 win**, 2nd (twice), 3rd (twice) & 4 places
IMATIKI TOO (f, by Ibn Kontiki) 3 places from 3 starts
CHLOSTATIKI (c, by Ibn Kontiki) Dam of:
AKIL OF DORAN (c, by **DORAN**) once 2nd, 3rd (twice) & 5 places.