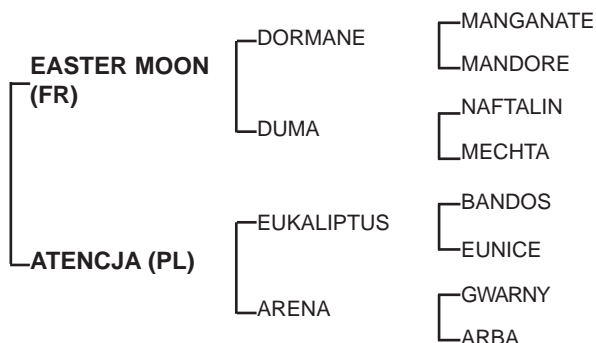


**JAP NAIM (AE)**  
Bay, Stallion  
22/02/2006



**JAP NAIM - 3 wins & 3 places**

**Sire: EASTER MOON** (c, by Dormane) **1 win & 7 places. winner** of Faraj bin Butti Al Muhairbi Group of Companies Maiden Race, **Full Brother** to **BOPP MOON - 4 Gr. wins & 13 (incl 12 Gr) places** in France, UK & UAE. **winning incl: 1st Dubai Kahayla Classic (Gr.1), JUVEN MOON - 2 wins & 10 places, Half Brother** to **MARGAUX'S MOON** (f, by Barour de Cardonne) **1 win** from 2 starts, **TWO MOON** (c, by Manganate) **2 wins & 2 places, DAM DOOMA** (f, by Manganate) **1 win & 5 places**

**1st Dam: ATENCJA** (f, by Eukaliptus) **1 win & 6 places. winner** of Polish Oaks.

**Dam of winners incl:**

**JAP NAIM** (c, by Easter Moon) **Subject Horse**

**MUSTAWA** (f, by Bengali D'albret) **1 win & 5 places**