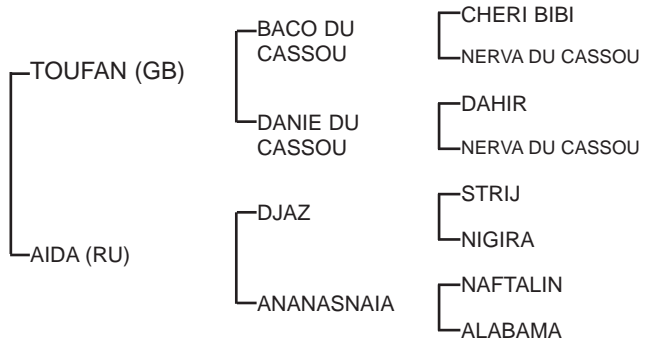


Property of : AL OWAIS STABLES

AJDAL (AE)
Grey, Stallion,
27/02/2008



Sire: TOUFAN (c, by **Baco Du Cassou**), Half Brother to **DAHESS** (c, by Amer) **27 wins** & 11 places. **GANIE DE CARRERE** (f, by Djourman) **4 wins** & 21 places. **FANFAN DE CARRERE** (c, by Djourman) **7 wins** & 15 places. **EDDY DE CARRERE** (g, by Royal de Carrere) **2 wins** & 4 places. **BIBI DE CARRERE** (c, by Djourman) **6 wins** & 6 places.

1st Dam: **AIDA** (f, by **Djaz**)

FLAT RACE